



ZV Series

2-Way Zone Valves 1/2" (DN15) - 3/4" (DN20) - 1" (DN25)

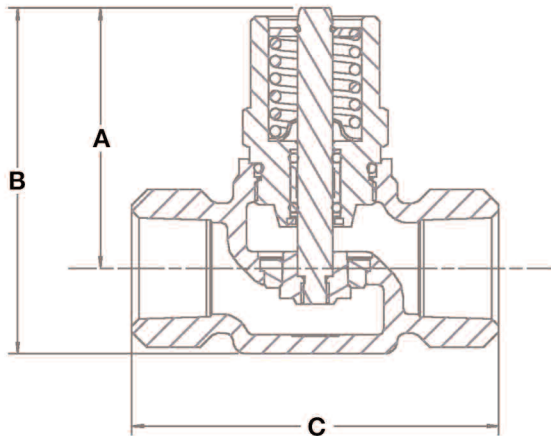
The new Neptronic® zone valves are used for controlling a variety of applications including fan coil units, VAV reheat coil, in floor HTG, chilled beams or baseboard applications.

Features

- Small size allows easier installation
- Linear stroke with flow
- Long stroke for optimal range of control
- High close off pressure

Dimensions

1/2" DN15	3/4" DN20	1" DN25
A = 1.85in (47mm)	A = 2in (51mm)	A = 2.1in (53mm)
B = 2.46in (62mm)	B = 2.8in (71mm)	B = 3.2in (81mm)
C = 2.625in (66mm)	C = 3.07in (78mm)	C = 2.5in (64mm)



Specifications

- **Pressure class**
ANSI Class 250, ASME B16.15 [PN16]
- **Connection**
Female to female
- **Flow characteristic**
Equal percentage
- **Rangeability**
50:1
- **Nominal Stroke**
1/4in (6mm)
- **Leakage**
0.02% of maximum flow
- **Media**
Hot or chilled water, water with glycol (max. 30%)
- **Media Temperature**
2°C to +120°C (36°F to +248°F)
- **Ambient Temperature (with actuator)**
2°C to +50°C (36°F to +122°F)
- **Material**
 - Body: Bronze
 - Stem: Stainless steel
 - Seat & Plug: Brass
 - O-ring: EPDM rubber

Models

Part No.	Size		Cv	Kvs	Close-off pressure	
ZV A007YB1	1/2"	DN15	0.7	0.63	120psi	827 kPa
ZV A012YB1	1/2"	DN15	1.2	1.00	120psi	827 kPa
ZV A018YB1	1/2"	DN15	1.8	1.60	120psi	827 kPa
ZV A029YB1	1/2"	DN15	2.9	2.50	90psi	621 kPa
ZV B046YB1	3/4"	DN20	4.6	4.00	70psi	483 kPa
ZV C073YB1	1"	DN25	7.3	6.30	50psi	345 kPa

NEPTRONIC FAMILY OF VALVES

Contoured Port Ball Valves



Neptronic motorized Contoured Port Ball Valves are an excellent and economical choice for 2 or 3 Way control of chilled or hot water. The 3 Way valves may be used for mixing or diverting service. Features include smooth equal percentage flow, a wide Cv range, high close-off at high pressure and fail-safe positioning if required. They can control like a Globe Valve at a considerably lower cost.

Globe Valves



For modulating control of hot or chilled water and low pressure steam, neptronic Linear Actuated 2 & 3 Way Globe Valves offer an inherent equal percentage flow characteristic. The valves respond to analog, digital or PWM control signals, are equipped with zero and span, auto stroke and can be installed normally open or normally closed via Enerdrive. Strong and compact they can be installed in confined spaces in baseboards, radiators and fan coils.

Actuated Butterfly Valves



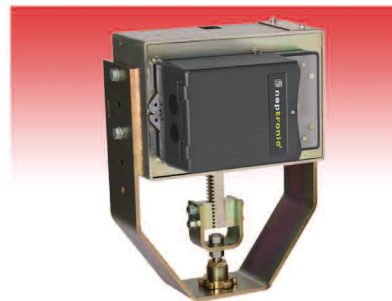
For higher flow capacities up to 200 PSI bubble tight, Neptronic actuated Butterfly Valves are available up to 12", 2 & 3 Way with 24VAC actuators. The unique rubber lined valve seat enables a snug fit for the disc and requires a low closing torque and break away torque (no more sticky seats). The perfectly spherical "S" shaped disc provides linear flow and low turbulence.

Pressure Independent BP Series



The BP series of valves are designed to control small flows for applications such as terminal reheat and hot and chilled water in small air handlers. They are comprised of a contoured port ball control trim and a pressure compensated automatic balancing section.

Retro Fit Linkage



Retrofit Kits with Neptronic actuators can be assembled to other makes of Globe Valves, Ball Valves and Butterfly Valves. They feature automatic stroke adjustment for any valve stem travel, matching the full stroke of the valve to the full throttling range of the input signal.



neptronic®

Manufacturer of HVAC controls, electric actuators, actuated valves, humidifiers and electric heaters

Head Office Neptronic®

400 Lebeau Blvd, Montreal, Quebec H4N 1R6
Tel.: (514) 333-1433 Fax: (514) 333-3163
Toll Free (Canada/USA): 1-800-361-2308

U.S. Office NEP Inc.

PO Box 1151, Medford, Oregon 97501
Tel.: (541) 531-5746
Toll Free: 1 800 361-2308 ext:244

Middle East & Asia NEP International

P.O. Box 125687, Dubai, UAE
Tel.: +97155 8825487 Fax: +9714 3426772
email: shyam@neptronic.com